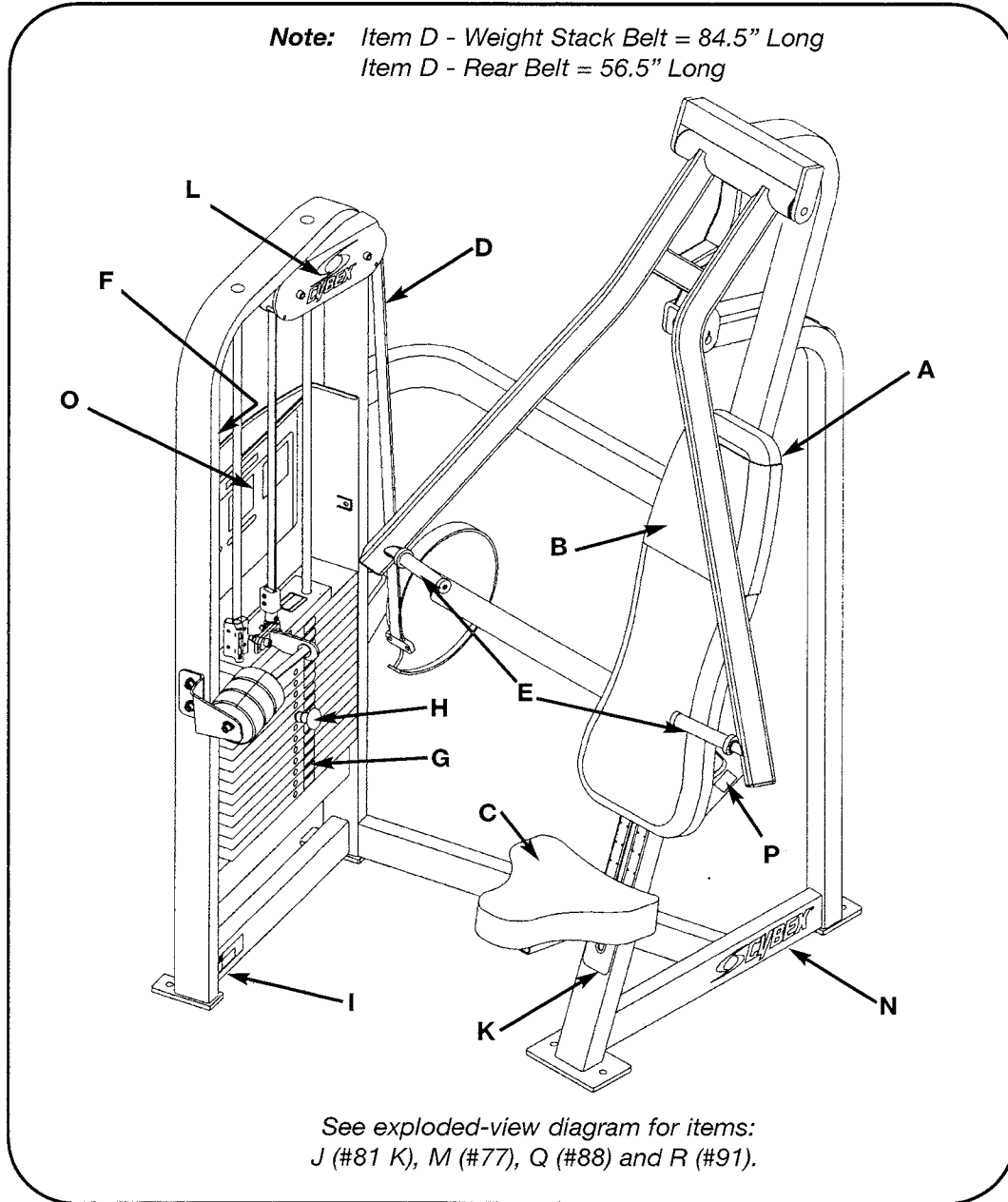


CHEST PRESS - SINGLE AXIS

PRODUCT NO. 4506

PARTS LIST

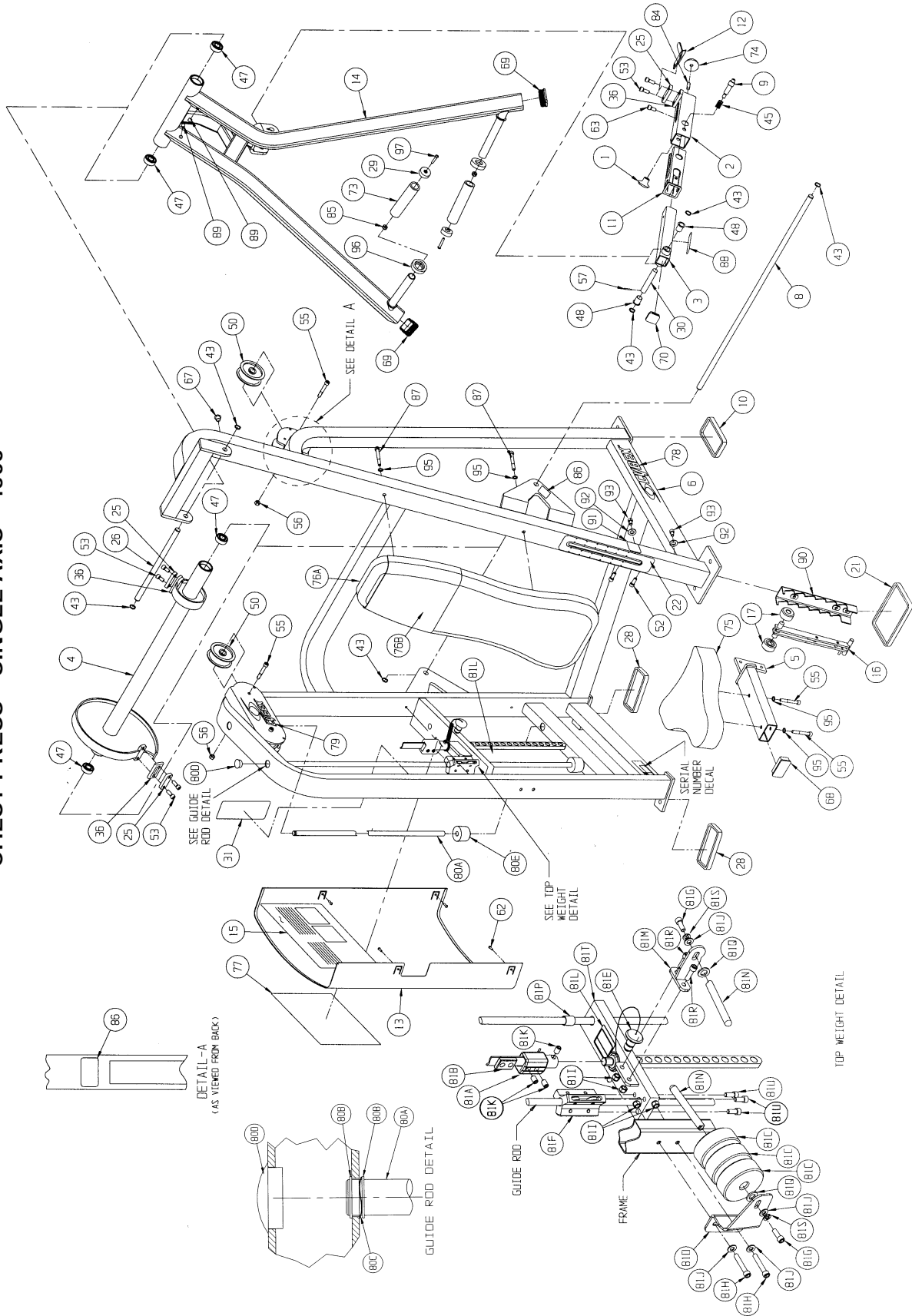


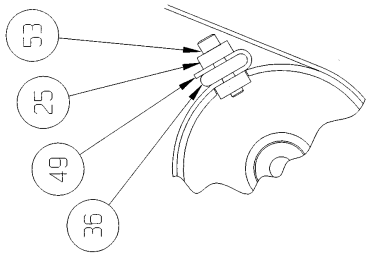
DESCRIPTION	PART NO.	DESCRIPTION	PART NO.
A. Back Cushion w/Wear Cover.....	4800-103	K. Seat Adjustment Decal..	5221-316
B. Wear Cover.....	4800-106	L. Cybex Decal Blk/Plm	3900-423
C. Seat Cushion.....	4800-026	L. Cybex Decal Wht/Wht ..	3900-424
D. Belt	GB000202	M. Cybex Decal Blk/Plm	3900-439
E. Grip.....	4605-507	M. Cybex Decal Wht/Wht...	3900-440
F. Warning Decal	4605-381	N. Cybex Decal Blk/Plm.....	3900-390
G. Weight Plate Decal	4605-388	N. Cybex Decal Wht/Wht...	3900-415
H. Weight Selector Pin.....	BH030207	O. Placard Decal	4506-598
I. Serial Number Decal		P. Caution Decal	4000Y316
J. Caution Decal.....	4605-424	Q. Adjusting Decal	4506-313
		R. Caution Decal.....	4520-362

4506 - Chest Press - Single Axis

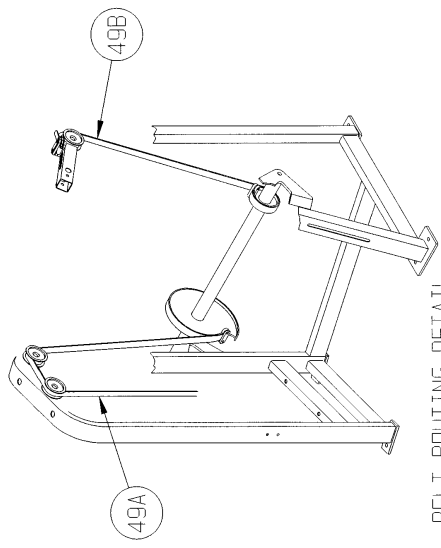
ITEM	QTY	PART NO.	DESCRIPTION	ITEM	QTY	PART NO.	DESCRIPTION
1	1	11040-440	Cybex Knob	66			Not Used
2	1	4505-212	Adjusting Tube (outer)	67	1	PN660201	Hole Plug
3	1	4506-204	Adjusting Tube (inner)	68	1	PP090202	Plastic Insert 1.50 x 3.00 x 11 G
4	1	4506-202	Cam	69	2	PP090210	Plastic Insert 2.00 Sq, x 10-14 G
5	1	4505-207	Seat	70	1	PP090211	Plastic Insert 1.50 Sq, x 10-14 G
6	1	4506-200	Frame	71			Not Used
7			Not Used	72			Not Used
8	1	4505-327	Pivot Shaft 35.72	73	2	4605-507	Grip 6.5" Long
9	1	4505-329	Detent Pin	74	1	4505-331	Bumper 1.50 Dia
10	1	PR070001	Foot Pad 2.40 x 4.25	75	1	4800-026	Seat Cushion
11	1	4605-512	Plastic Insert 7.94	76 A	1	4800-009	Backrest Cushion w/Wear Cover
12	1	4505-335	Belt Stop Plate	76 B	1	4800-092	Wear Cover
13	1	4505-432	Guard	77			Removed 3/03
14	1	4506-203	Arm Bearing Housing	77	1	3900-439	Cybex Decal 11.37 Vert. Blk/Plm
15	1	4506-598	Placard Decal				
16	1	4520-212	Seat Roller	77	1	3900-440	Cybex Decal 11.37 Vert. Wht/Wht
17	2	4520-331	Roller	78			Removed 3/03
18			Removed	78	1	3900-390	Cybex Decal 1.57 Horiz. Blk/Plm
19			Not Used	78	1	3900-415	Cybex Decal 1.57 Horiz. Wht/Wht
20			Not Used	79	1	3900-423	Cybex Decal 4.85 Vert. Blk/Plm
21	1	PR070002	Foot Pad 4.00 x 7.00	79	1	3900-424	Cybex Decal 4.85 Vert. Wht/Wht
22	1	5221-316	Seat Adjustment Decal	79			Removed 3/03
23			Not Used	80	1	4701-021	Weight Stack Guide Rod Set
24			Not Used	80 A	2	4505-319	Weight Stack Guide Rod
25	3	4605-300	Belt Clamp	80 B	4	BR030214	Retaining Ring .625
26	1	4605-334	Pivot Shaft 13.06	80 C	2	HS407100	Spring Washer .65 x .79 x .062 T
27			Not Used	80 D	2	PN660200	Plastic Insert 1.00 Dia x 11 G
28	2	PR070003	Foot Pad 2.00 x 5.25	80 E	2	PR060005	Weight Bumper
29	2	11090-374	End Cap	81	1	4701-031	Sliding Increment Weight Set
30	1	4605-373	Pivot Shaft 4.06	81 A	1	11040-216	Belt Clamp
31	1	4605-381	Warning Decal	81 B	1	11040-301	Belt Clamp Insert
32			Not Used	81 C	3	4605-390	Increment Weight
33			Not Used	81 D			Removed 3/03
34	1	4605-388	Weight Plate Decal 10-290	81 E	1	GH030207	Weight Selector Pin
35			Not Used	81 F	1	4701-001	Top Weight Guide
36	3	4605-394	Belt Clamp	81 G	2	HC702817	SHCS .375-16 x 1.00
37			Not Used	81 H	2	HC702828	SHCS .375-16 x 2.25
38			Not Used	81 I	4	HN704901	Nylon Locknut .375-16
39			Not Used	81 J	4	HS347600	Washer, SAE .375
40	1	4701-302	VR2 Weight Stack Instr. (not shown)	81 K	3	HY740000	Set Screw
41			Not Used	81 L	1	4605-424	Caution Decal
42			Not Used	81 M	1	4700-240	Weight Mount
43	6	BR030210	Retaining Ring 17 mm	81 N	2	4700-318	Increment Weight Rod
44			Not Used	81 O	1	4700-319	Frame Mount Increment Weight
45	1	BS070201	Com Spring .56 x .66 x 1.50 L	81 P	1	FB130208	Bearing Sleeve .68 x .81 1.00 L
46			Not Used	81 Q	2	4700-321	Rubber Washer
47	4	FB030232	Radial Bearing 17 mm ID (Ext Race)	81 R	2	JC702820	SHCS .375-16 x 1.25
48	2	FB130207	Flange Bearing 17mm x19mm x 25mm	81 S	2	HS348300	Split Lockwasher .375
49 A	84.5"	GB000202	Weight Stack Belt .95" Wide	81 T	1	4700-238	Top Weight
49 B	56.5"	GB000202	Rear Belt .95" Wide	81 U	3	HC702816	SHCS .375-16 x .875
50	3	GP000209	Pulley Assembly 3.50	82	1	51198	Strength Warranty Sheet (not shown)
51			Not Used	83			Not Used
52	2	HC702817	SHCS .375-16 x 1.00	84	1	HP707017	Stud .375-16 x 1.00
53	6	HC702822	SHCS .375-16 x 1.50	85	2	HF449063	Connector Insert .75 x .25-20
54			Not Used	86	2	4000Y316	Caution Decal
55	5	HC702830	SHCS .375-16 x 2.50	87	2	HC702834	SHCS .375-16 x 3.00
56	3	HN704901	Locknut .375-16 Nylon	88	1	4506-313	Adjusting Decal
57	1	HP266717	Spiral Pin .125 x 1.00	89	2	PP080207	Plastic Insert
58			Removed	90	1	4520-213	Bracket
59			Removed	91	1	4520-362	Caution Decal
60			Not Used	92	2	HS347700	Washer USS .375
61			Not Used	93	2	JC702812	SHCS .375-16 x .50
62	4	HT102214	Tap Screw #10-12 x .625 A (Phil)	94	14	4000C101	Stack Weight 4 x 18 (not shown)
63	1	JC702814	SHCS .375-16 x .625	95	4	JS347400	Internal Tooth Lockwasher .375
64			Not Used	96	2	11090-376	Handle Grip Ring
65			Removed	97	2	JC620422	BHSCS .250-20 x 1.50

CHEST PRESS - SINGLE AXIS - 4506





BELT CLAMPING DETAIL



BELT ROUTING DETAIL